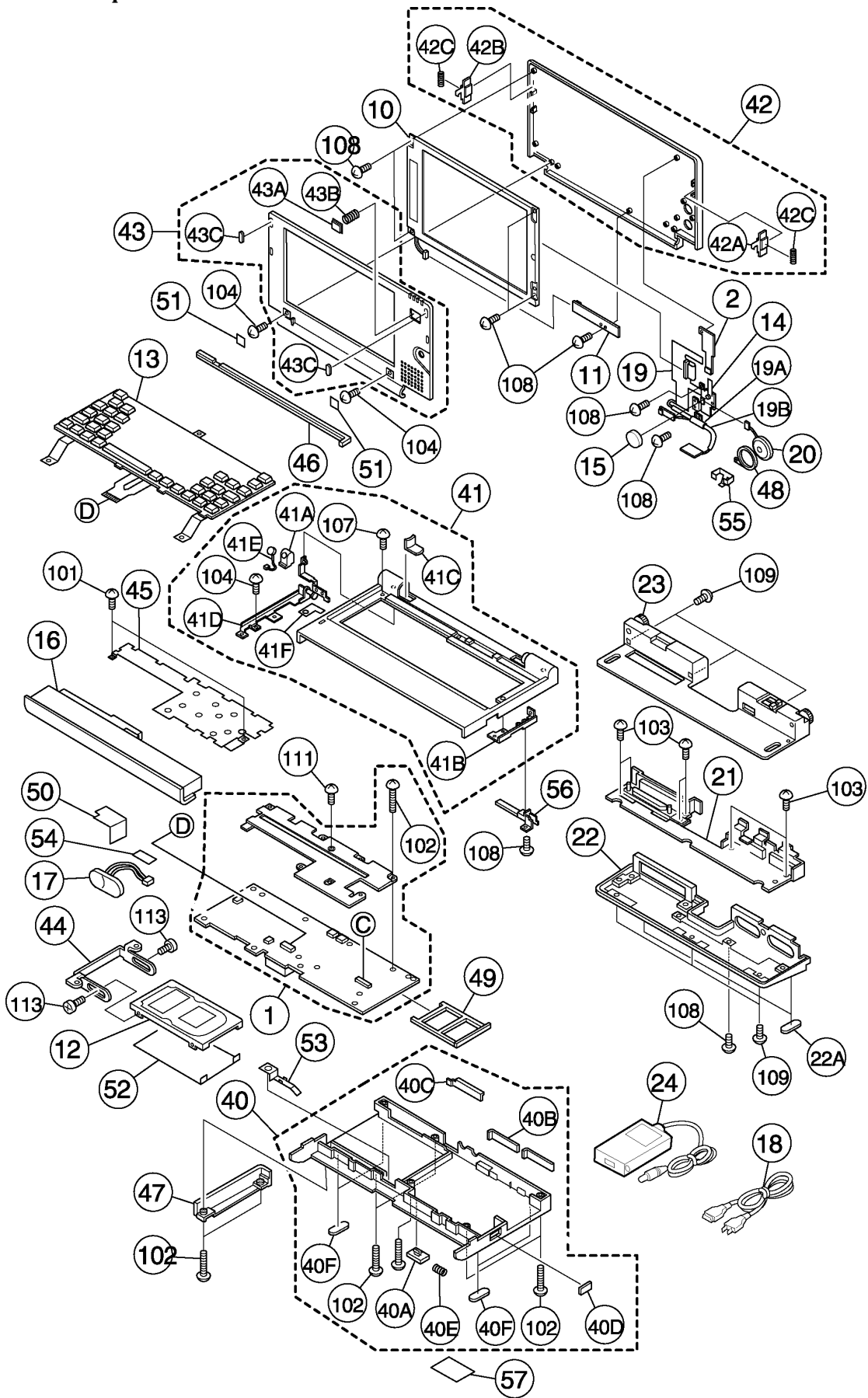


Libretto 100CT Exploded View



Libretto 100CT Part Numbers

Ref. #	Code	Part #	Description	PIR	Comments
	CA95	PA1254UX	100CT/2.1		Lib. 100CT/2.1 with 2.1GB HDD
	CA95	PA1254U-T2A	100CT/2.1		Lib. 100CT/2.1
	CA95	PA1254U-T2AB	100CT/2.1 REMFG		Lib. 100CT/2.1 (Remf.)
	CA95	PA1254U-T2N	100CT/2.1 (WinNT)		Lib. 100CT/2.1 (Win NT)
	CA95	PA1254U-T2NB	100CT/2.1 (WinNT) REMFG		Lib. 100CT/2.1 (Win NT) (Remf.)
1	CA95	P000249540	PCB FLISY2		Sys. Board, B36080661022
1-1	CA95	P000263170	PCB FLISY3	CEE	Sys. Board, B36081781019
2	CA95	P000249550	PCB FLIMC2		Power Switch Board, B36080641024
3-9		(reserved)			
10	CA95	P000249560	COLOR LCD Mod.		Sharp LQ71Y03, 7.1" VGA-TFT, VF0186P01
10-1	CA95	P000258270	COLOR LCD Mod.	CEH	Samsung, VF2012P01
11	CA95	P000249570	FL INVERTER		UA2000P01
12	CA95	P000250550	HDD UNIT (2.1GB)		IBM DYKA-22160, ZA2026P01, See Note 1
12-1	CA95	P000256520	HDD UNIT (2.1GB)	CDH	Tosh. MT2000, HDD2119B, See Note 1
13	CA95	P000246000	Kybd UNIT		UE0290P09
14	CA95	P000250310	POINTING DEVICE		
15	CA95	P000250680	STICK CAP SET		
16	CA95	PA2502UR	MAIN Batt. PACK		Li-Ion, 10.8VDC, 1,200mAh, with Recycle Label
16-A	CA95	PA2503UR	HIGH CAPACITY Batt.		Li-Ion, 10.8VDC, 2,400mAh, with Recycle Label
17	CA95	P000237040	NI-MH Batt.		RTC Batt., 2.4VDC, 11mAh
18	CA95	P000182200	AC CORD SET		Power Cord
19	CA95	P000250320	FPC HARNESS		LCD Flexible Cable, UE2000P01
19A	CA95	P000250690	LCD INNER DUCT		
19B	CA95	P000250700	LCD OUTER DUCT		
20	CA95	P000250330	SPEAKER		
21	CA95	P000249590	PCB FLIIO2		I/O Adapter PCB, B36080761029
22	CA95	P000249700	BASE Assy, I/O		I/O Adapter Base Assy
22A	CA95	P000237100	BOTTOM CUSHION		
23	CA95	P000249710	TOP COVER, I/O		I/O Adapter Top Cover
24	CA95	PA2501U	Univ. AC ADAPTER		Input:100-240VAC 0.7-0.4A 50-60Hz, Output:15VDC, 2A
25-39		(reserved)			
40	CA95	P000249600	BASE Assy		Bottom Cover
40A	CA95	P000250060	Batt. LOCK		Batt. Release Latch
40B	CA95	P000250070	EJECT BUTTON		PC Card Eject Lever
40C	CA95	P000250080	EJECT ARM		PC Card Eject Arm
40D	CA95	P000242770	FIR COVER		Infrared Cover
40E	CA95	P000250090	Batt. SPRING		
40F	CA95	P000237150	BOTTOM CUSHION		
41	CA95	P000249610	COVER Assy		Top Cover
41A	CA95	P000250100	MICROPHONE HOLDER		
41B	CA95	P000250110	BOSS PLATE		
41C	CA95	P000250120	HINGE COVER		
41D	CA95	P000250130	BRAKE HINGE		
41E	CA95	P000250140	MICROPHONE		
41F	CA95	P000250150	INSULATOR, HINGE LOWER		
42	CA95	P000250160	LCD COVER Assy		
42A	CA95	P000237230	LCD LATCH, RIGHT		
42B	CA95	P000237240	LCD LATCH, LEFT		
42C	CA95	P000250170	LATCH SPRING		
43	CA95	P000250180	LCD MASK Assy		
43A	CA95	P000250190	POWER SWITCH BUTTON		
43B	CA95	P000250200	POWER SWITCH SPRING		
43C	CA95	P000202500	LCD CUSHION		
44	CA95	P000246100	HDD EJECT		HDD Bracket for use with IBM HDD
44-A	CA95	P000256540	HDD EJECT	CDA	HDD Bracket for use with Tosh. HDD
45	CA95	P000250210	Kybd EARTH Assy		Metal Cover
46	CA95	P000250230	Kybd HOLDER		Kybd Brace
47	CA95	P000250240	HDD COVER		
48	CA95	P000250250	SPEAKER HOLDER		
49	CA95	P000237410	DUMMY CARD		
50	CA95	P000250260	INSULATOR, RTC Batt.		
51	CA95	P000239030	LCD MASK SEAL		
52	CA95	P000250270	INSULATOR, HDD LWR Assy		For use with IBM HDD
52-A	CA95	P000256510	INSULATOR, HDD LWR Assy	CDA	For use with Tosh. HDD
53	CA95	P000250280	HDD EARTH PLATE		For use with IBM HDD
53-A	CA95	P000256500	HDD EARTH PLATE	CDA	For use with Tosh. HDD
54	CA95	P000250290	INSULATOR, RTC CABLE		
55	CA95	P000250300	SPEAKER EARTH SPRING		
56	CA95	P000250710	DUCT, COVER Assy		
57		Not Available			

Libretto 100CT Part Numbers, (cont.)

Ref. #	Code	Part #	Description	PIR	Comments
58 (N/S)		CA95	P000277140		EMI SHIELD GLASS
59-100		(reserved)			
101	CA95	P000215140	SCREW M2X3C		
102	CA95	P000239500	SCREW M2X14C		
103	CA95	P000207950	SCREW M2X4Z		
104	CA95	P000239510	SCREW M2.5X5Z		
105-106		(reserved)			
107	CA95	P000023310	SCREW M2X4		
108	CA95	P000230440	SCREW M2X5C		
109	CA95	P000229510	SCREW M2X4L		
110		(reserved)			
111	CA95	P000207940	SCREW M2X6		
112		(reserved)			
113	CA95	P000237460	SCREW		
OP01	CA95	KTT-LBT/32	KINGSTON 32MB EDO Mem.		
OP02		(reserved)			
OP03	CA95	PA2719U	ENHANCED PORT Repl.		
OP04	CA95	PA2501U	Univ. AC ADAPTER		Input:100-240VAC 0.7-0.4A 50-60Hz, Output:15VDC, 2A
OP05	CA95	PA2502UR	MAIN Batt. PACK		Li-Ion, 10.8VDC, 1,200mAh, with Recycle Label
OP06	CA95	PA2503UR	HIGH CAPACITY Batt.		Li-Ion, 10.8VDC, 2,400mAh, with Recycle Label
OP07	CA95	PA2940U	FLOPPY DISK DRIVE KIT		MKM0458AZZ01
OP08	CA95	PA2499U	Batt. CHARGER		12.6VDC, 0.37A With AC Cord
OP10	CA95	PA2504U	ADAPTER, Batt. CHARGER		